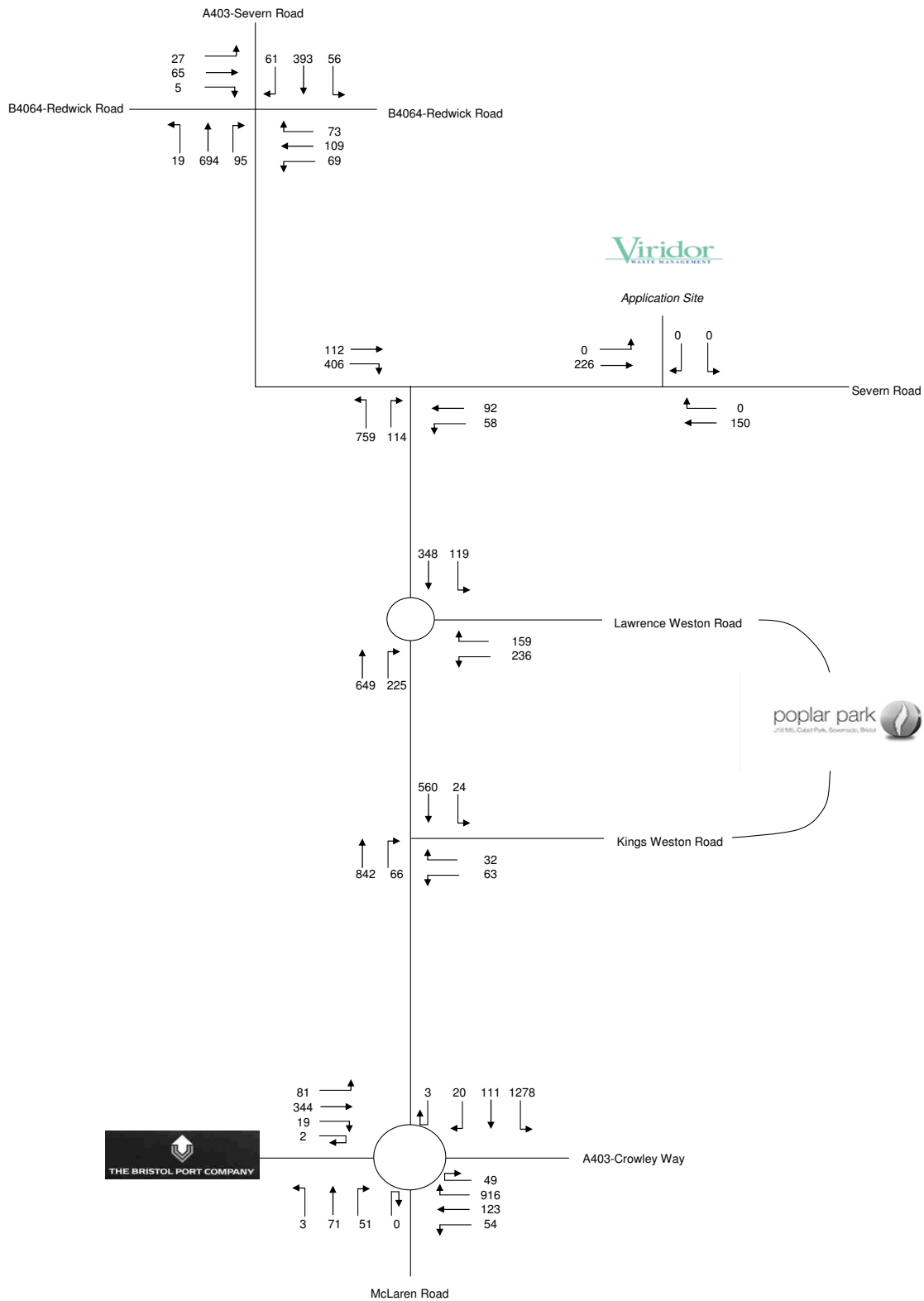


Proposed Resource Recovery Facility, Severn Road, Avonmouth
 AM Peak (07:30 to 08:30hrs) - Base + Committed Developments (as PCUs)



and Resource Recovery Facility, Severn Road, South
(17:00 to 18:00hrs) - Base + Committed Developments (as

