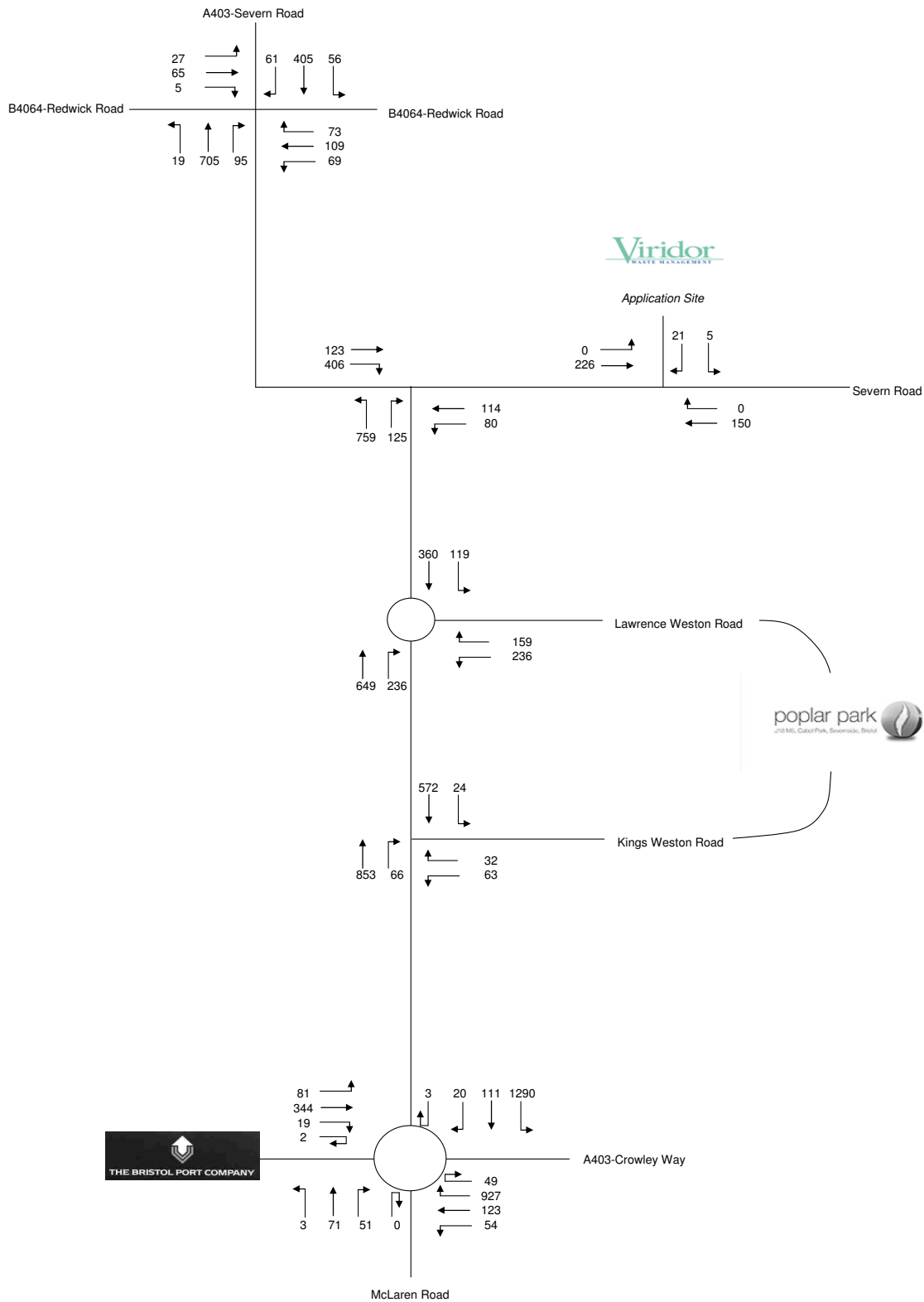


B4064-Redwi

Proposed Resource Recovery Facility, Severn Road, Avonmouth
 AM Peak (07:30 to 08:30hrs) - Base + Committed + Development Flows (as PCUs)



Severn Road Resource Recovery Facility, Severn Road, South
 (17:00 to 18:00hrs) - Base + Committed + Development Flows
 (in thousands)

